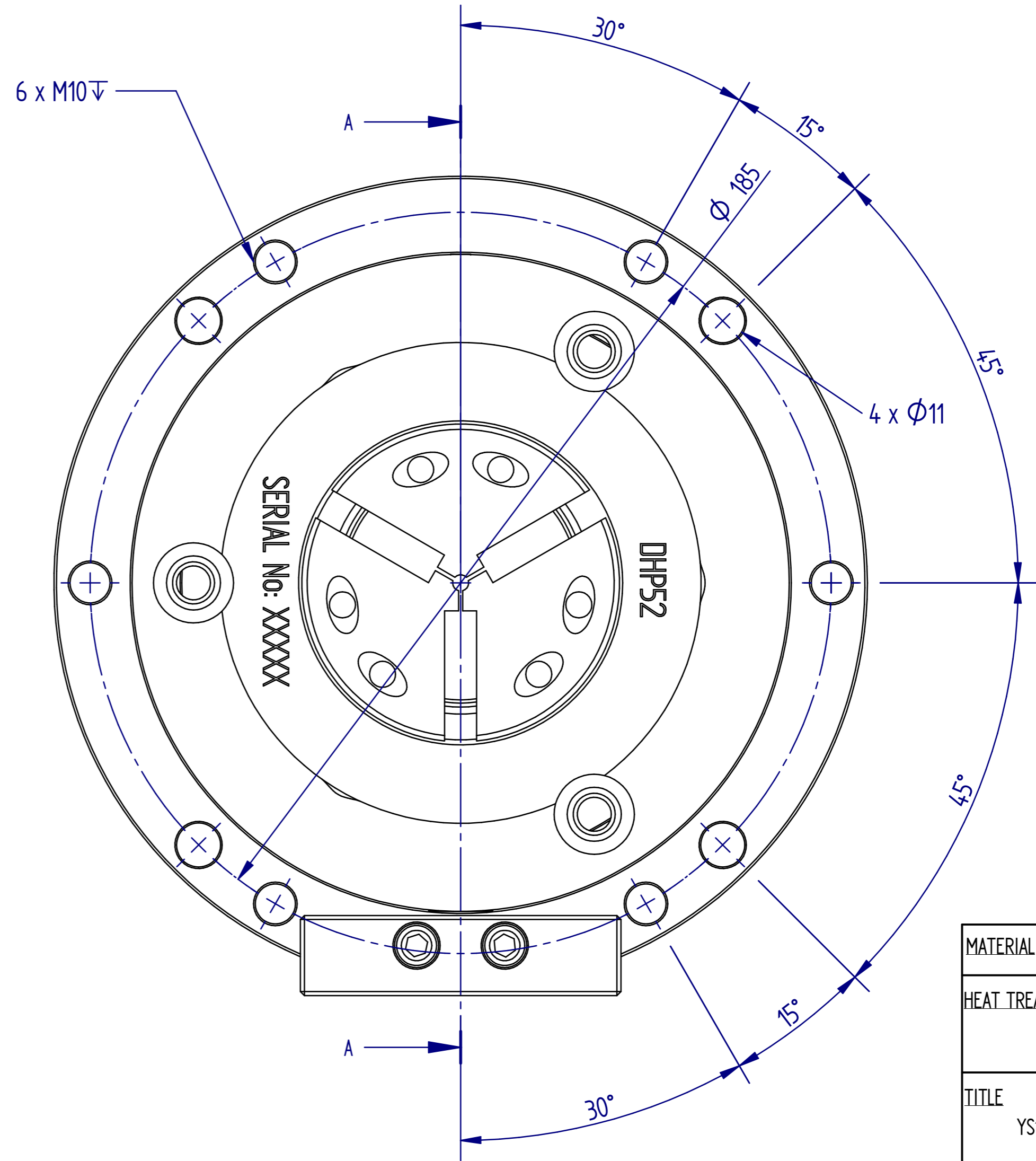
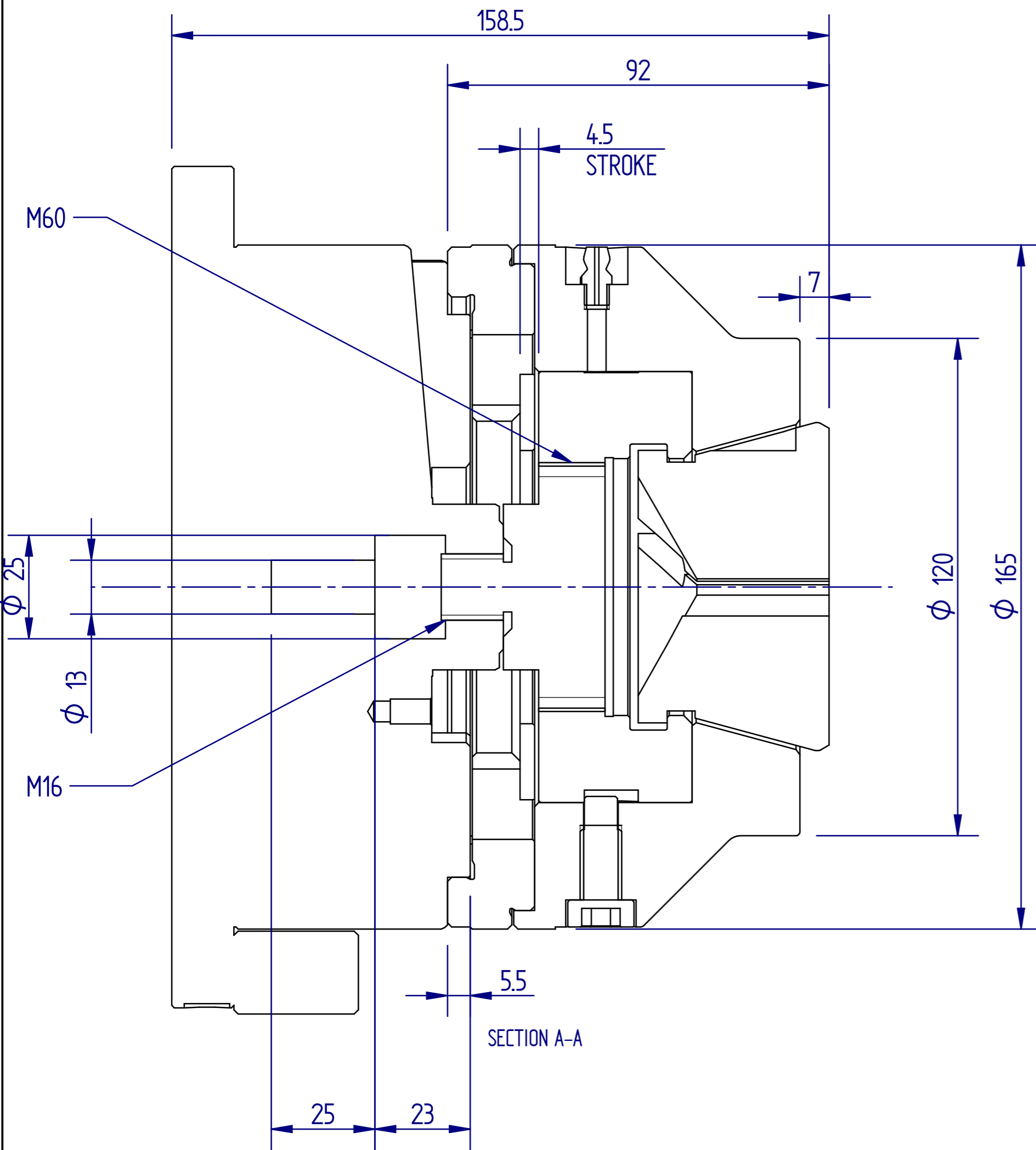


DRAWN IN FORWARD POSITION

NEW ISSUE	CHANGE DATE	COMMENTS
Error: No reference	Error: No reference	Error: No reference
Error: No reference	Error: No reference	Error: No reference
Error: No reference	Error: No reference	Error: No reference

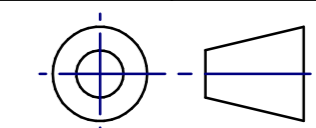


MATERIAL	EN8
HEAT TREATMENT	
TITLE	YS1415K + DHP52-Z140

MACHINING TOLERANCES								DRAWN	Error: No reference
RANGE AS SPECIFIED	NOMINAL DIMENSION							DATE	Error: No reference
	> 0.5 ... 3	> 3 ... 6	> 6 ... 30	> 30 ... 120	> 120 ... 400	> 400 ... 1000	> 1000 ... 2000	SCALE	1:1
	ALL DIMENSION IN mm							CHECK	
FINE	±0.05	±0.05	±0.1	±0.15	±0.2	±0.3	±0.5		
<input checked="" type="checkbox"/> MEDIUM	±0.1	±0.1	±0.2	±0.3	±0.5	±0.8	±1.2		
COARSE	±0.2	±0.3	±0.5	±0.8	±1.2	±2	±3		
VERY COARSE	—	±0.5	±1	±1.5	±2	±3	±4		



UNIT 1, THE HEADLANDS, DOWNTON, SALISBURY, WILTSHIRE, SP5 3JJ, TELEPHONE: 01725 514000  
THIS DOCUMENT IS PROPRIETARY INFORMATION. DO NOT COPY REPRODUCE OR DISTRIBUTE WITHOUT AUTHORISATION FROM KITAGAWA EUROPE LTD.



		SHEET 1 OF 1
		ISSUE Error: No reference
		DRAWING NO.
		ASY-YS1415K+DHP52